



M2M 4G LTE

SureCall IoT / Machine-to-Machine Cellular Signal Booster

OVERVIEW

SureCall's M2M industrial-quality signal booster delivers optimum cellular signal enhancement for all machine-to-machine applications. M2M increases critical signal and is designed to be connected directly to a modem or data card. Multiple connector options are included with these IoT / M2M booster kits to accommodate various applications. Features sturdy metal construction and an industry leading 3-year warranty.

APPLICATIONS

Wireless Alarm Panels, ATMs, Vending Machines, Lotto Machines, Digital Signage, Remote Monitoring

BOOSTER KIT

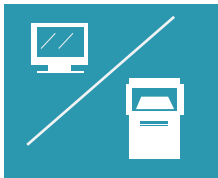
- M2M Booster
- External Antenna
- SMA-Male / SMA-Male Connector Cable - RG-58, 6 ft
- SMA-Male / FME-Female Connector Cable - RG-174, 5.5 ft
- SMA-Male / MMCX-Male Connector Cable - 2 ft
- SMA-Male to FME-Male Connector (part SC-CN-06)
- Mounting Kit (Velcro and plastic anchors with screws)
- AC Power Supply



SureCall M2M 4G LTE Signal Booster

PART NUMBERS

- SC-SoloVI-15 - Verizon 4G LTE
- SC-SoloAI-15 - AT&T 4G LTE



M2M 4G LTE

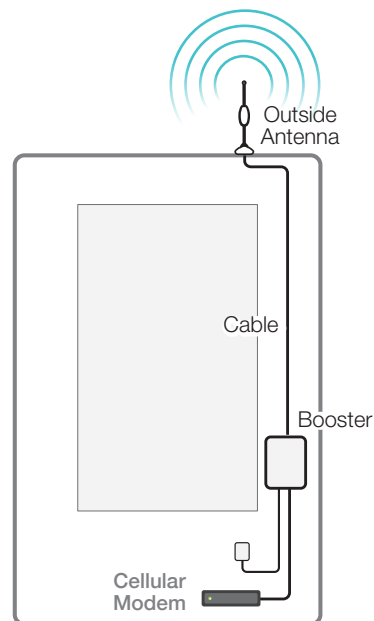
IoT / M2M Cellular Signal Booster

SPECIFICATIONS

	4G LTE - VERIZON Part: SC-SoloVI-15	4G LTE - AT&T Part: SC-SoloAI-15
Model No.		
Uplink Frequency Range (MHz):	776-787	698-716
Downlink Frequency Range (MHz):	746-757	728-746
Input/Output Impedance:	50 Ω	
Maximum Gain:	15 dB	
Noise Figure:	5 dB	
VSWR:	≤ 2.0	
AC Power Transmitter:	110VAC, 60Hz IN / 6V	
Maximum Output Power:	EIRP is 19.5 dBm	EIRP is 19.44 dBm
Cable Types:	RG-58, RG-174	
RF Connectors:	SMA-Female (both ends)	
Power Consumption:	<9W	
Dimensions:	4.875" x 2.75" x 1.125"	
Weight:	1 lb 13 oz	
FCC ID (USA):	RSNM2M-V	RSNM2M-A

Specifications are subject to change.

INSTALLATION EXAMPLE



This is a CONSUMER device.

BEFORE USE, you MUST REGISTER THIS DEVICE with your wireless provider and have your provider's consent. Most wireless providers consent to the use of signal boosters. Some providers may not consent to the use of this device on their network. If you are unsure, contact your provider. You **MUST** operate this device with approved antennas and cables as specified by the manufacturer. Antennas **MUST** be installed at least 20 cm (8 inches) from any person. You **MUST** cease operating this device immediately if requested by the FCC or a licensed wireless service provider. **WARNING.** E911 location information may not be provided or may be inaccurate for calls served by using this device.