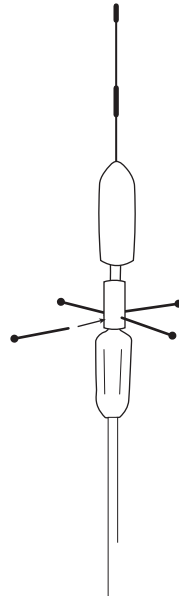


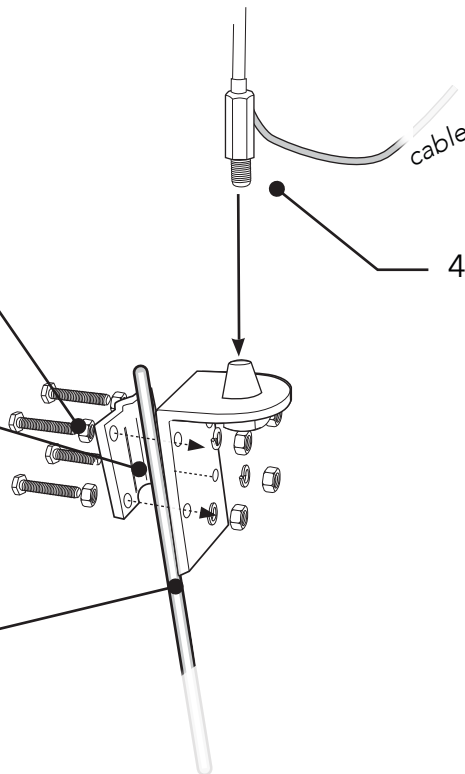
SureCall Wide-Band Trucker Antenna

SC-130W Installation Overview



5. Screw four pins into the corresponding holes on upper half of the antenna body

1. Loosen four mounting screws
2. Insert pole as shown or attach mounting kits on truck mirror support frame
3. Tighten all four screws in place and secure with wrench



4. Screw antenna into mounting base

FOR QUESTIONS AND SUPPORT

1-888-365-6283
support@surecall.com
www.surecall.com

