

# SC-550W TRUCK ANTENNA

Ultra-wideband exterior antenna designed for trucks, big rigs, RVs and fleet vehicles



Stay connected anywhere with SureCall's heavy-duty OTR truck antenna that is equipped with a strong base and mirror mount that can hold up in the harshest of conditions.

The high-performance SC-550W antenna provides better interior coverage and connectivity for multiple simultaneous users on all 5G and 4G LTE cellular devices, including hotspots, when paired with the Fusion2Go 3.0 or another in-vehicle signal booster kit

- » Durable weather-proof components are protected from water, dust and road grime
- » 2-clamp mounting bracket and heavy-duty hardware with thread-lock glue withstands vibrations
- » Complete mounting kit for mirror installation with optional mast extension for 16" and 32" height options

## FEATURES

- Designed for use with large trucks, big rigs, RVs and fleet vehicles
- Omni-directional antenna captures cell signal from all directions
- 3.5 dBi Gain
- Ultra wideband (617 - 2700 MHz)
- FME-Female connector

## TECHNICAL SPECIFICATIONS

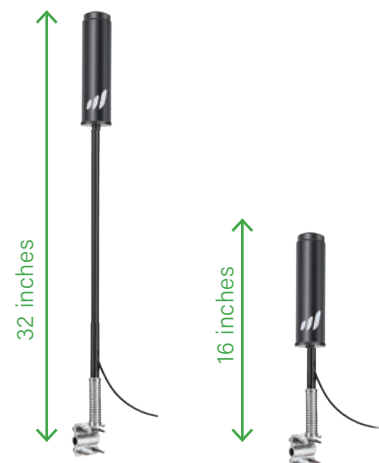
|                    |   |
|--------------------|---|
| Frequency Range    | 617-697 / 698-960 / 1710-2700 MHz                                     |
| Beamwidth          | H:360° E:60° / H:360° E:55° / H:360° E:40                             |
| VSWR               | <2/2/2  |
| Gain               | 3.5 dBi   |
| Impedance          | 50 Ω  |
| Polarization       | Vertical  |
| Radiation          | Omni-directional  |
| Direction          | Non-circularity $\pm 2/\pm 2/\pm 2.5$ dB                              |
| Max Power          | 50W   |
| Connector          | FME-Female  |
| Color              | Black   |
| Operating Humidity | 5% ~ 95%  |
| Operating Temp     | -22°F to +176°F   |
| Cable Length       | 10 ft (integrated), 5 ft extension (optional)                         |
| Antenna Height     | Total height is 32 in with pole extension and 16 in without extension |



## INSTALLATION

For best results, the antenna should be mounted on a compatible surface, such as the mirror, in an upright position with the antenna pointing toward the sky (perpendicular to the ground).

Built-in ground plane allows for use on any surface – metal, fiberglass, wood, etc.



# SC-550W HIGH PERFORMANCE TRUCK ANTENNA

## BEFORE INSTALLATION

**Select a location** on your vehicle for the outside antenna. Multiple mount and height options are available to achieve the best configuration for your specific vehicle.

The antenna can be mounted on any truck, with or without an existing antenna mounting point. For vehicles without built-in mounting points, the antenna uses a 3/8 x 24 thread mount designed to accommodate many available 3rd party CB mounts.

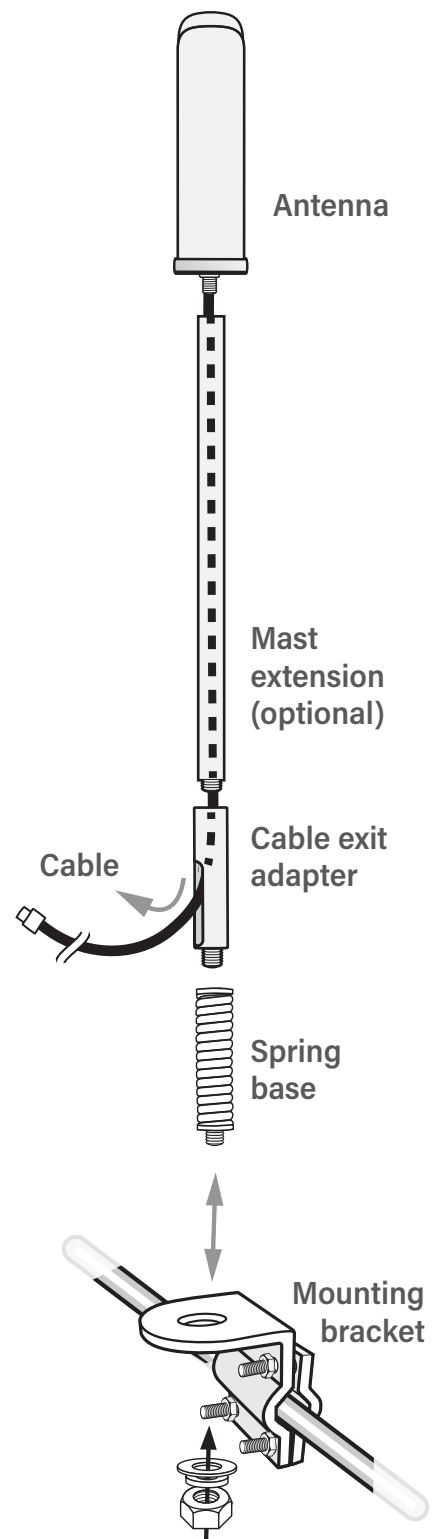
A **2-clamp mounting bracket** is provided for use on a mirror rail or other existing vehicle rails.

Additionally, an **extension pole** is provided. Note, it is needed only to achieve the clearance requirements specified below.

**Location requirements:** The antenna mounting location should:

(a) allow the antenna to extend above the metal cab (b) be at least 6 inches away from any windows (c) provide at least a 12-inch radius clear of obstructions and other radiating elements, such as a radio antenna.

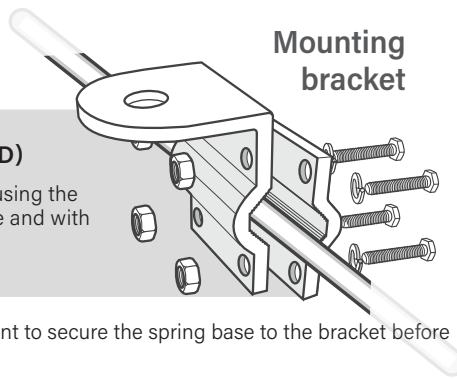
**Thread glue** is provided with the antenna. It should be applied at each threaded connection only after you have confirmed the best height configuration as the glue will make the connection permanent.



## INSTALLATION

### INSTALL MOUNTING BRACKET (IF USED)

Secure bracket to the chosen rail for mounting using the provided hardware. Secure all four bolts in place and with a wrench.



For mounting bracket application, you will want to secure the spring base to the bracket before adding the assembled antenna.

Place the threads through the opening of the mounting bracket as shown in the illustration. Use the provided washers on the bottom of the bracket opening then add the nut to bottom of the thread to secure.

### ASSEMBLE THE ANTENNA

Assemble the antenna parts by routing the antenna cable through the mast extension (if used) then through the cable exit adapter.

Align the threaded connections and secure with thread glue.

### MOUNT THE ANTENNA

Once assembled, mount the antenna onto the spring base. Align the threaded connection and secure with thread glue.

### ROUTE CABLE

*Route cable from outside to the inside of the cabin where your compatible booster (available separately) is located.*

*If additional cable length is needed, an optional 5 ft extension cable has been provided.*

## FOR QUESTIONS AND SUPPORT

1-888-365-6283  
support@surecall.com  
www.surecall.com

